



Harsh & Hazardous

**KILLARK®**

# NVL Series

## Corrosion Resistant Fixtures

*for Harsh and Hazardous Environments*





## NON-METALLIC CORROSION RESISTANT HAZARDOUS FIXTURES



Class I, Div. 2, Groups A,B,C,D  
 Class I, Zone 2, Groups IIC,IIB,IIA  
 Class II, Div. 2, Groups F,G  
 Class III  
 UL Marine Rated (US only)  
 Type 3, 4, 4X, IP66

Certified - File LR11713

**ABS Type Approval**

to the following standards:

- UL 1598 Standard for luminaires
- UL 1598A Marine type luminaires
- UL 844 Standard for lighting fixtures for hazardous locations
- CSA C22.2 no. 137-M1981 electric luminaires for use in hazardous locations
- Enclosed and gasketed

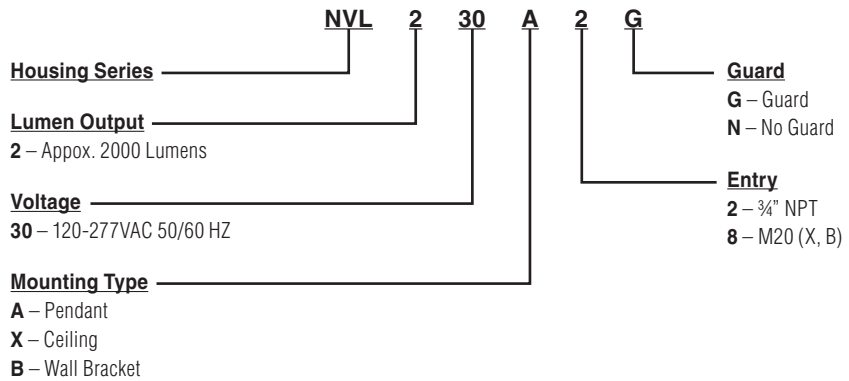
### FEATURES - SPECIFICATIONS

## ENVIRORITE® II

#### Features

- Corrosive resistant body molded from 30% glass-filled thermoset polyester
- Energy and labor-saving LED
- High Efficacy (lumens per watt)
- Compact Size
- Diffuse polycarbonate globe that softens the light while providing impact protection
- Accessories include polycarbonate dome reflectors and wall extension
- Type 3, 4, & 4X Rated
- IP66
- Marine Rated
- ABS Approved

#### Catalog Number Logic

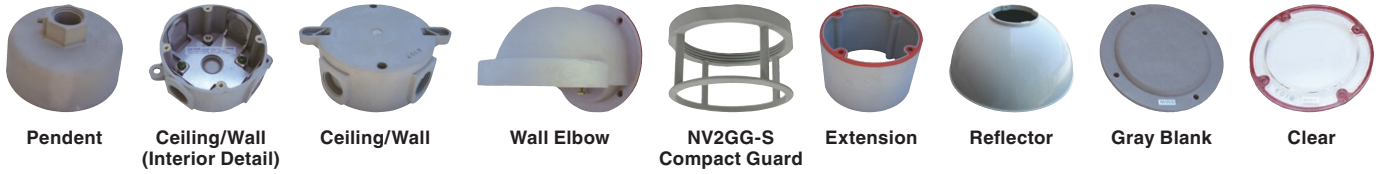


NVL COMPONENTS AND ACCESSORIES			
CATALOG NUMBER	DESCRIPTION		
NV2AG	Pendant	3/4" NPT	Pendant splice box with 316 stainless steel set screw at the conduit connection
NV2XG	Ceiling Box	3/4" NPT	Ceiling box vol. 24 cu. inches
NV2MG		M20	
NV2BG	Wall Bracket		Use with NV2XG or NV2MG for wall mount
NVPSD12	Reflector		White Polycarbonate Reflector (secured by guard)
NVEXTG	Extension		Extension for wall mount fixture with reflector
NV2CG	Gray Cover		Blank covers for NV2XG & NV2MG Ceiling Boxes
NV2CC	Clear Cover		
NV2GG-S	Compact Guard		Low Profile Non-Metallic Guard that is also used to secure reflector

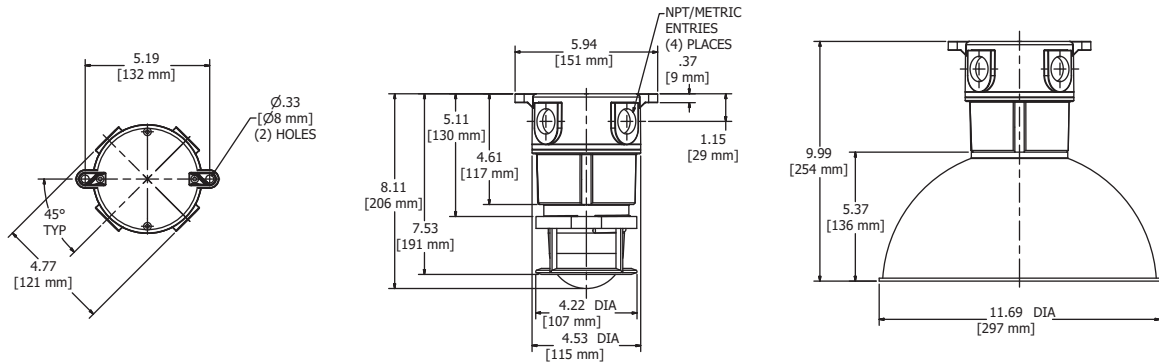


### NON-METALLIC CORROSION RESISTANT HAZARDOUS FIXTURES

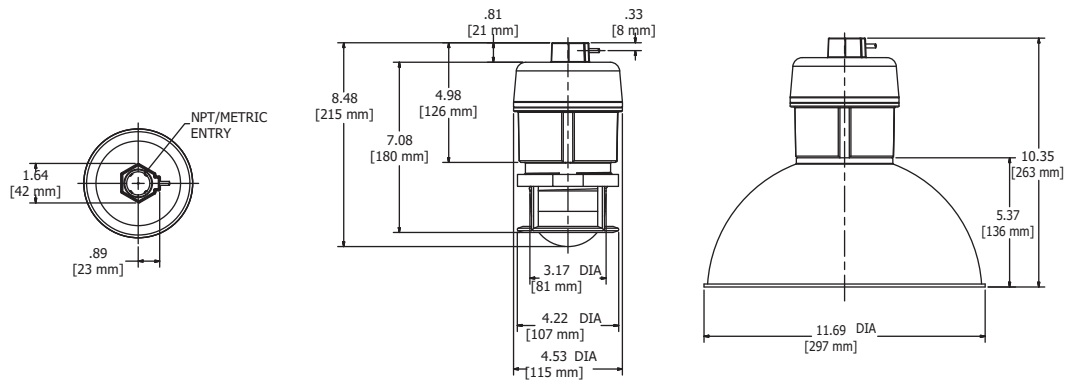
#### COMPONENT PARTS



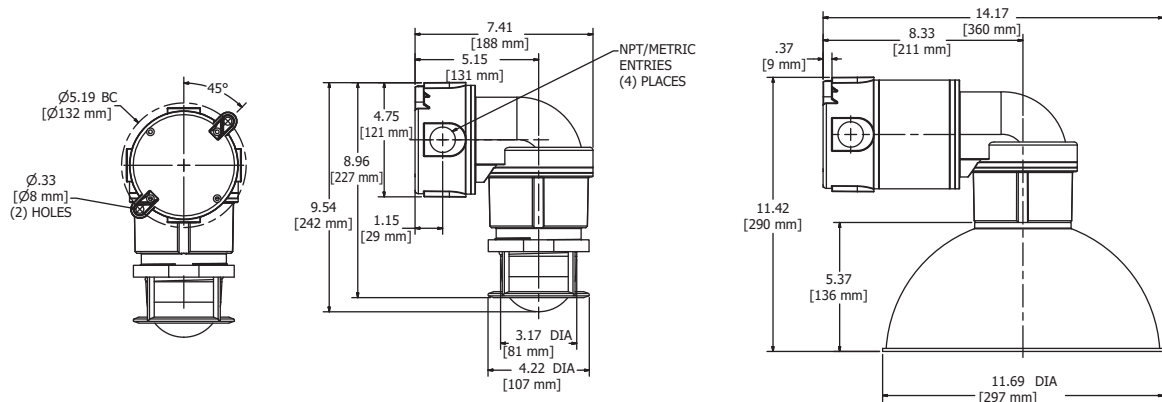
#### Ceiling Mount



#### Pendant Mount



#### Wall Mount





# Complementary Products from Killark

## ROCKER SWITCH CONTROLLERS

When the need arises for a light switch in the harshest of environments look no further than the KILLARK HKH Rocker Switch. This rugged Polyamide GRP material will stand up to the heaviest of impacts.

The HAZCON Rocker Switch is the largest seller of the Killark HKH Controls Product Line

One or Two Pole 20A continuous current contact blocks up to 350V AC/DC.

Can be wired as a 3 Way switch when 1 Normally Open & 1 Normally Closed contacts are installed

- Positive functions for ON and OFF to protect against accidental activation
- Luminous Strip for ease of sight
- 20A Contact Blocks
- For Wet Locations requiring Nema 4X or IP66
- Indoors or Outdoors in Class 1 Div 2 Harsh and Hazardous Locations
- IECEx and ATEX Certified, IP66 Ingress Protection
- Zone 1 & 2, Zone 21 & 22, Exde IIC Gb



HKSB-NVL 04-19 © Killark, 2019

**KILLARK®**

**Hubbell Killark**  
2112 Fenton Logistics Park Blvd. • Fenton, MO 63026  
Phone: (314) 531-0460 • Fax: (314) 531-7164  
[www.hubbell-killark.com](http://www.hubbell-killark.com)

**HUBBELL®**  
Harsh & Hazardous